

WHAT'S IN THE BOX

- 1 x BEC MX-1000 M2M Router
 - 1 x This Quick Install Guide
 - 1 x CD containing the User Manual
 - 1 x Mounting Bracket
 - 1 x MiniFIT to DC Jack Power Cable
 - 2 x Wi-Fi Antennas
 - 5 x Red Dust Caps
- (Optional Accessories)
- DC Power Adapter
 - 3G/4G Antennas
 - Active GPS Antenna
 - Vehicle Power Cable
 - Ethernet (RJ-45) Cable



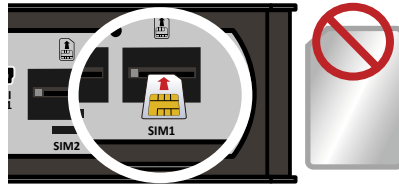
Quick Install Guide

SETTING UP THE ROUTER

1 Insert the SIM Card

Note: Power off the MX-1000 before inserting/removing the SIM

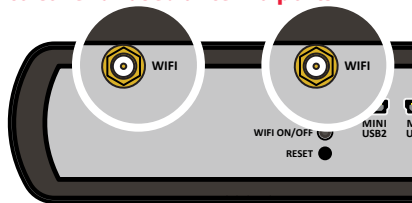
Remove the SIM cover then insert the SIM card(s) (2FF) with the metal contacts (gold plate) facing up to the SIM slot(s) then push it all the way in until you hear the clicking sound. Replace the metal SIM cover after inserting the SIMs.



2 Attach the Wi-Fi Antennas

Note: Use the plastic red caps to cover unused antenna ports

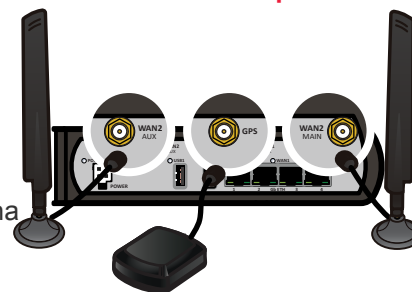
Screw the 2 female RP-SMA Wi-Fi antennas until fully attached to the Wi-Fi ports on MX-1000. Do not over-torque the antenna on the connector.



3 Attach the LTE & GPS Antennas

Note: Use the plastic red caps to cover unused antenna ports

Screw the 2 male SMA Cellular/or GPS antennas until fully attached to the Cellular and/or GPS modules. Connect to the MAIN port, the primary cellular antenna port to transmit and receive signal, if decide to use one LTE antenna.

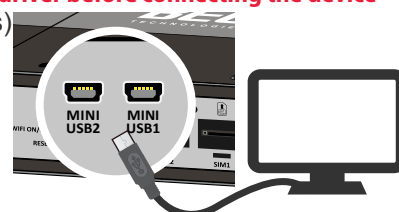


Do not over-torque the antenna on the connector.

4 Connect to Mini USB Ports

Note: Need to install a special driver before connecting the device

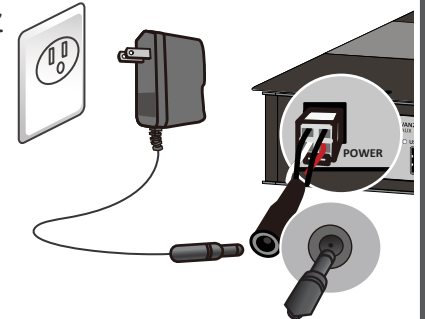
Connect to Mini USB port(s) for direct connection to the Cellular module(s) for management – debug, change firmware, and configuration.



5 Connect to Power Source

Use the DC Power Adapter

Attach the 4-pin MiniFIT to DC Jack Power Cable to the MX-1000 then plug in the DC power adapter, 15VDC 1.6A.



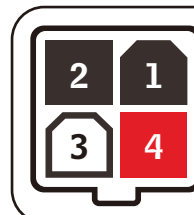
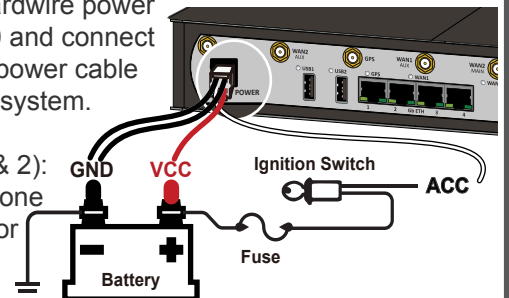
Use Vehicle Electrical System (Power & Ignition Sensing)

Attach the Vehicle hardwire power cable to the MX-1000 and connect the wire leads of the power cable to vehicle's electrical system.

BLACK Wire (PIN 1 & 2): Ground (GND). Use one of the BLACK wires for a neutral or ground connection

WHITE Wire (PIN 3): ACC/ON for Ignition Input wire need to be connecting into vehicle accessory wire.

RED Wire (PIN 4): VCC/OFF Voltage wire to the battery. DC power range from 0V to 56V.



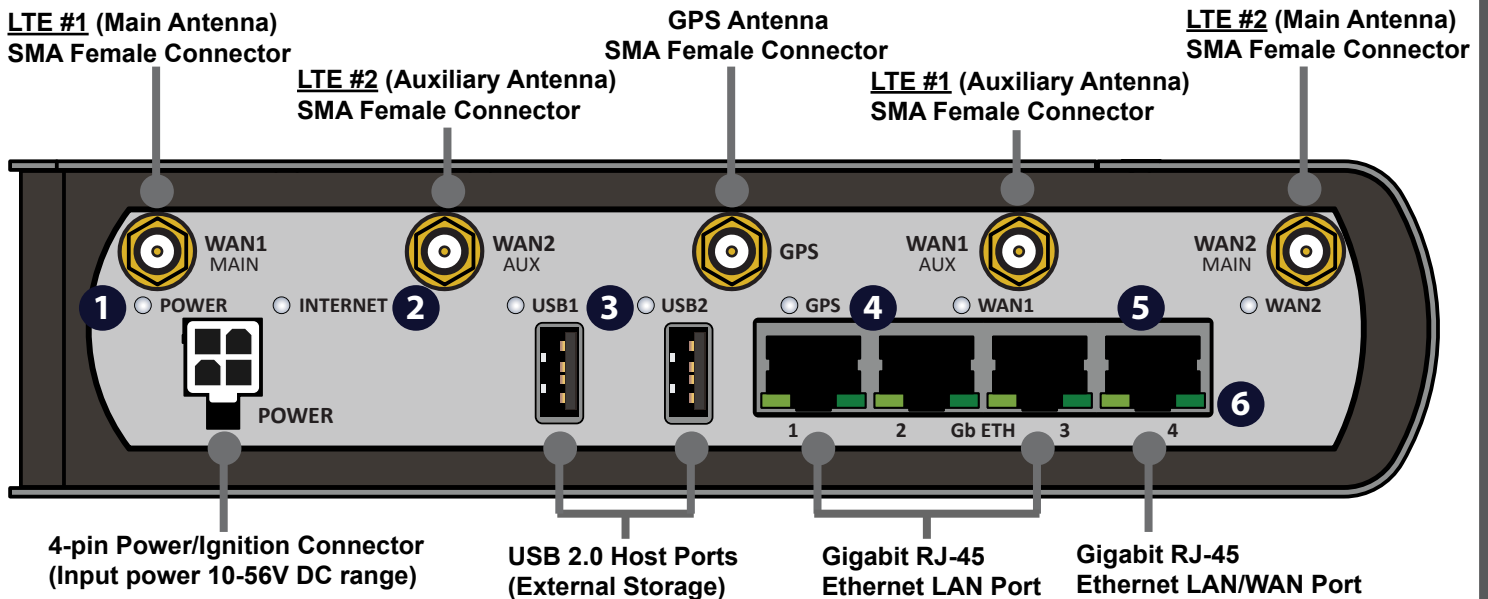
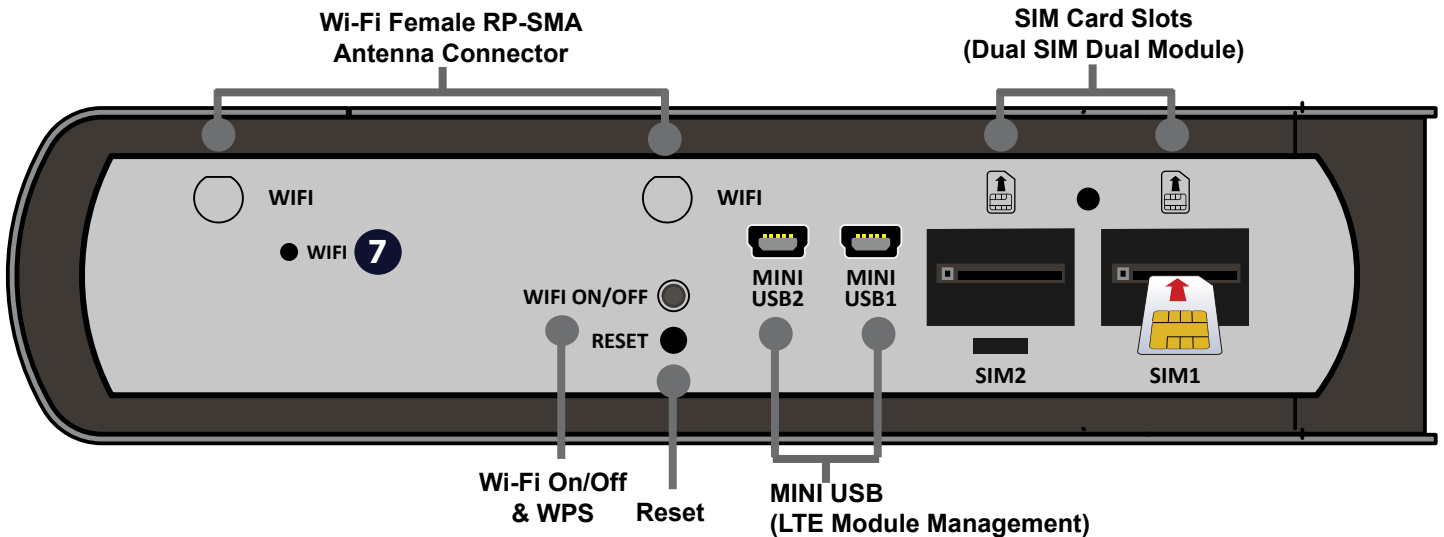
PIN	Definition	Details	Wire color
1	Ground	-	Black
2	Ground	-	Black
3	ACC	Input	White
4	VCC	10~56VDC	Red

6 Access to the MX-1000

Access to the MX-1000 Web interface by entering <http://192.168.1.254> in the address bar of the web browser. Default Login Information: Username (admin) and Password (admin).

The **Quick Start Wizard** provides key steps to connect the MX-1000 to the Internet.

DEVICE OVERVIEW & LEDS



- 1 POWER** - Green: System ready
Red: Boot failure
- 2 INTERNET** - Green: IP traffic via WAN
Red: WAN IP request failed
Off: No WAN Connection or in Bridge Mode
- 3 USB 1/2** - Green: Connected with an external storage device
- 4 GPS** - Green: GPS is active
- 5 WAN 1/2 - Signal Strength Indicator** - Green: RSSI greater than -69 dBm. Excellent signal condition
Green flashing quickly: RSSI from -81 to -69 dBm. Good signal condition
Red flashing quickly: RSSI less than -99 dBm. Poor signal condition
Red flashing slowly: RSSI less than -99 dBm. Poor signal condition
Red: No signal and the 4G LTE module is in service
Off: No LTE module or LTE module fails
- 6 GIGABIT ETHERNET (Gb ETH) (LAN 1 - 4)** - Green: Transmission speed is at Gigabit speed (1000Mbps)
Orange: Transmission speed is at 10/100Mbps
Blinking: Data being transmitted/received
- 7 WI-FI** - Green: Wireless connection established
Blinking: Data being transmitted / received

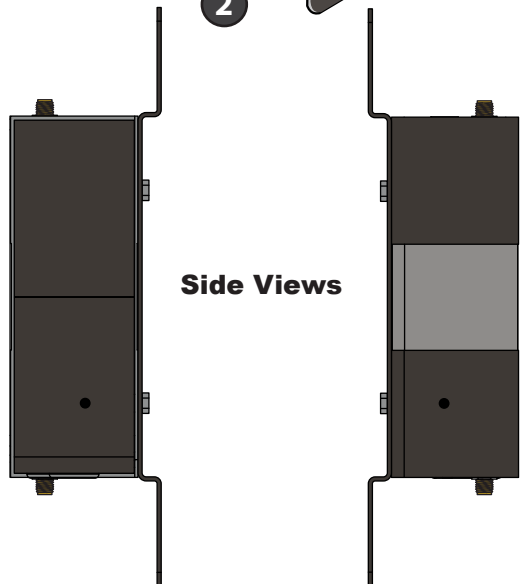
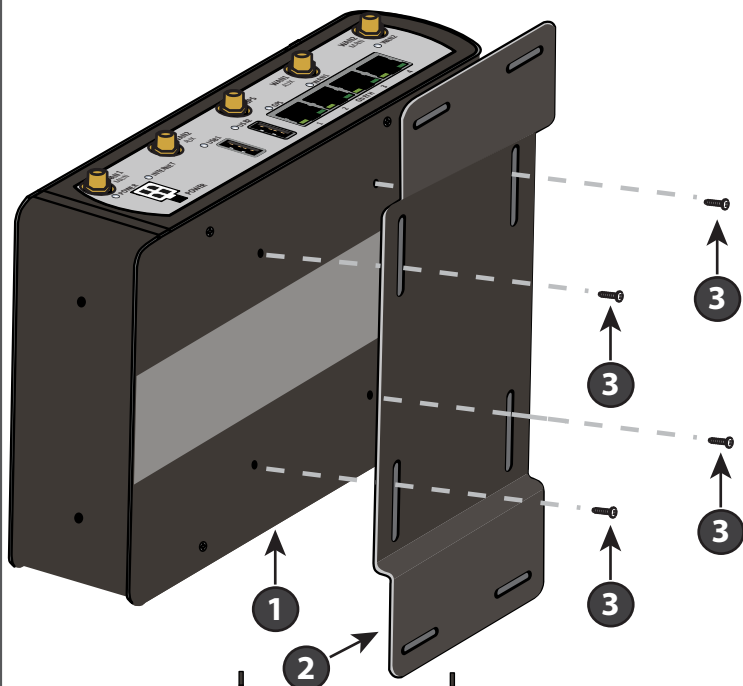
MOUNTING THE ROUTER

MOUNTING BRACKET CONTAINS: Bracket plate and Ten (10) M4 Machine Screws

The Bracket plate is designed to securely attach and mount the MX-1000 on any flat surface – including desktop, table, chassis, etc.

Attach the fasten the Mounting Bracket (known as bracket plate) to the back or front of the MX-1000 using four (4) M4 machine screws included in the package.

1. MX-1000 2. Mounting Bracket 3. Mounting Screws



Mount the MX-1000 to a flat surface by using four (4) self-drilling screws through the bracket plate holes.

Note: Self-drilling screws are not provided

1. Bracket Holes

