

## How to Configure IP-Passthrough for LTE WANs

### Summary

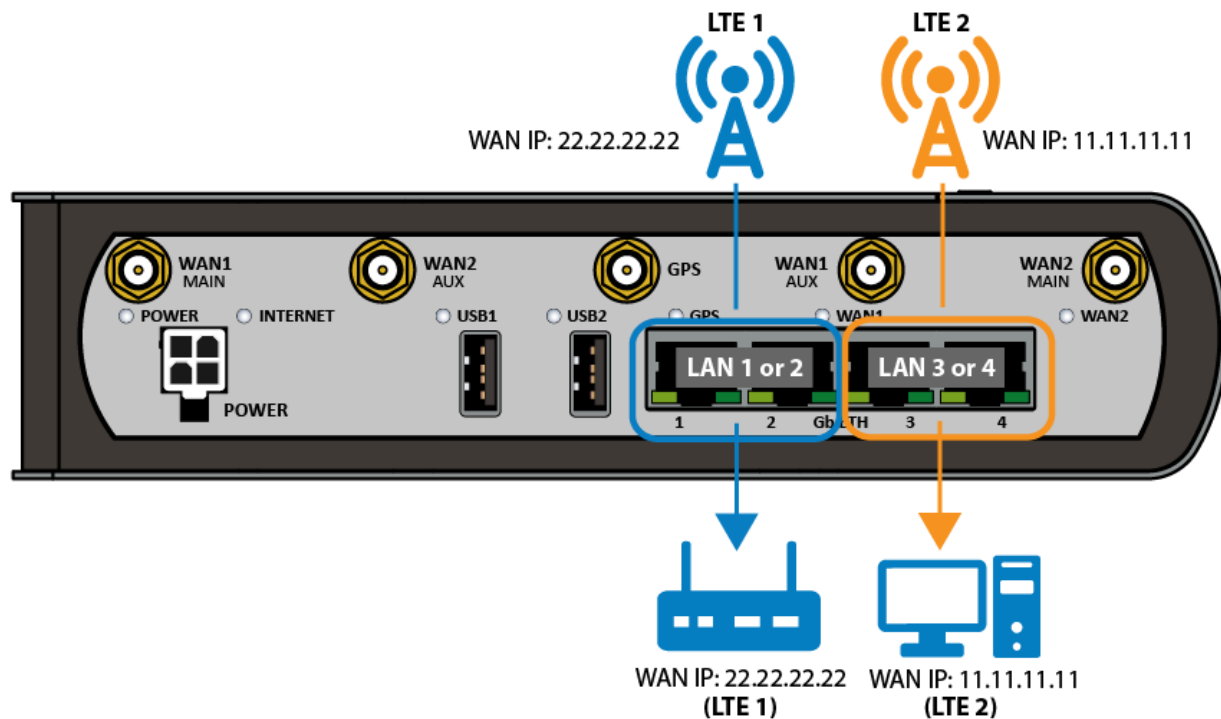
This article provides you with detail steps on how to configure the IP-Passthrough (aka the Bridge Mode). This feature is disabled by default. Once the feature is being activated or enabled, the BEC router will automatically become a dumb modem, no other WAN interface allowed such as EWAN, no routing or any security feature is available.

The LTE interface will forward the received WAN IP address to the destined LAN port of the BEC router.

#### IP Passthrough WAN-LAN Port Mapping:

: With Single LTE WAN – LAN 1 or 2

: With Dual LTE WAN – (LTE 1) LAN 1 or 2. (LTE 2) LAN 3 or 4 (See diagram below)



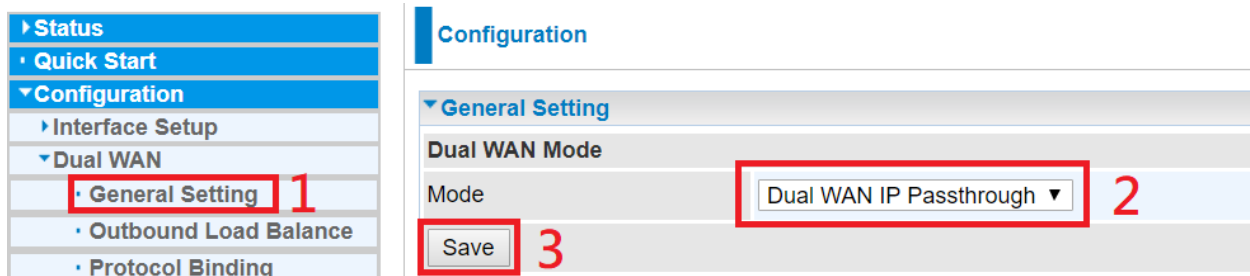
## Configuration

Log into BEC router's Web GUI page first.

Step 1: Go to **Configuration / Dual WAN / General Setting**

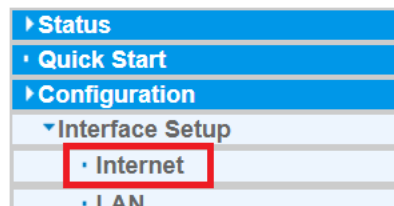
Step 2: Click the drop-down button and select **Dual WAN IP Passthrough**

Step 3: Click **Save** to apply the setting.

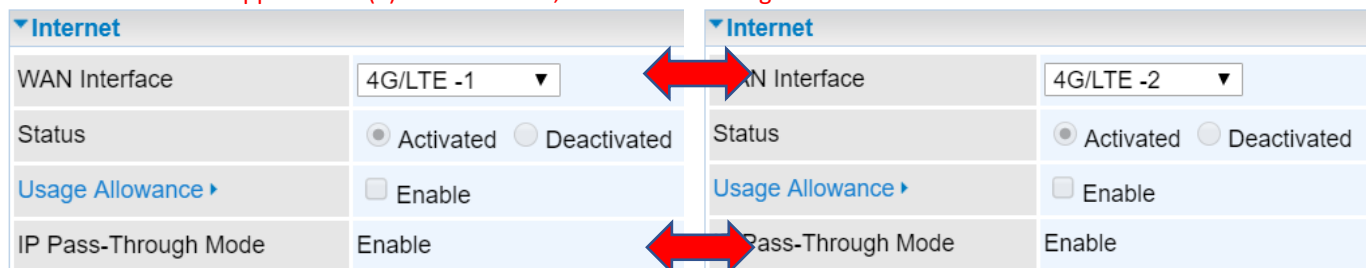


**NOTE:** After applying the settings, all routing, NAT, firewall, etc. features will be disabled.

Step 4: Go to **Interface Setup / Interface** under **Configuration** to configure the LTE interface(s) by completing all the required information.



**NOTE:** If the router supports two (2) LTE interfaces, then IP-Passthrough will be enabled on both interfaces.



Step 5: Connect an Ethernet device that needs a WAN IP to the LAN port of the router.

Single LTE Router (6300VNL, 6500AEL, etc.), only one (1) WAN IP address can be forwarded to an Ethernet device, either on LAN 1 or LAN 2.

For **Dual** LTE router (MX1000, MX-1200), up to two (2) WAN IP addresses can be forwarded to two (2) Ethernet devices, LAN 1 or LAN 2 (LTE 1) and/or LAN 3 and LAN 4 (LTE 2) one (1) IP from each of the interface.