

## Power over Ethernet (PoE) Splitter & Injector Kit

### Summary

BEC's PoE Splitter & Injector Kit complies with IEEE 802.3af standard and provides flexibility, easy, and cost-effective solution to deploy remote non-PoE compliant network router with no nearby power outlet. BEC PoE Kit transforms non-PoE BEC router/non-PoE network equipment into an efficient PoE-compliant network device for fast deployment, saving cost of installing a new electrical outlet and increasing mobility to install the non-PoE router / network equipment in any location for a maximum distance of 100 meter.

**NOTE: Using other brand PoE injector is acceptable but not recommended.**

**Applied Models:** All BEC 4G/LTE and BEC MX-Series Routers/Gateways

### Product Specification

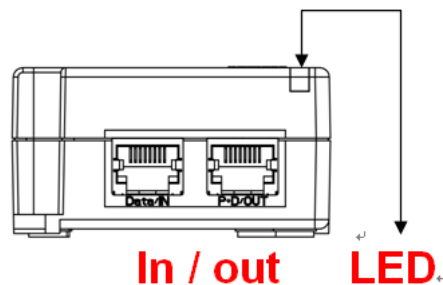
<b>BEC's PoE Splitter</b>	<b>BEC's PoE Injector</b>
<ul style="list-style-type: none"><li>✓ <b>Interface: RJ-45 Ports * 2</b><ul style="list-style-type: none"><li>○ Data (Out)</li><li>○ Data + Power (Data In + Power)</li></ul></li><li>✓ <b>Interface: Power Socket (DC Output) * 1</b><ul style="list-style-type: none"><li>○ DC Connector: 2.5 * 5.5mm</li></ul></li><li>✓ <b>Data Rate: 10/100/1000Mbps</b></li><li>✓ <b>Power</b><ul style="list-style-type: none"><li>○ 12 VDC, 2A, 24W</li></ul></li></ul>	<ul style="list-style-type: none"><li>✓ <b>Interface: RJ-45 Ports * 2</b><ul style="list-style-type: none"><li>○ Data (In)</li><li>○ Data + Power (Data + Power Out)</li></ul></li><li>✓ <b>Data Rate: 10/100/1000Mbps</b></li><li>✓ <b>Input Power</b><ul style="list-style-type: none"><li>○ AC Input: 90-264V AC</li><li>○ AC Current: 0.75@ 120VAC/60Hz (max)</li></ul></li><li>✓ <b>Output Power</b><ul style="list-style-type: none"><li>○ Voltage: +56 VDC</li><li>○ Current: 10mA – 0.625A</li></ul></li></ul>

## Installation

### BEC's PoE Injector

**Step 1:** Plug the power cable to the Power port of the PoE injector and the other end into the power outlet.

- The Power LED, above the Data Ethernet ports, should light up.



**Step 2:** Plug an Ethernet cable, Cat.5 / 5e, to the **Data+Power OUT** port of the PoE Injector and the other end to the **Data+Power IN** port of the PoE Splitter.

### BEC's PoE Splitter

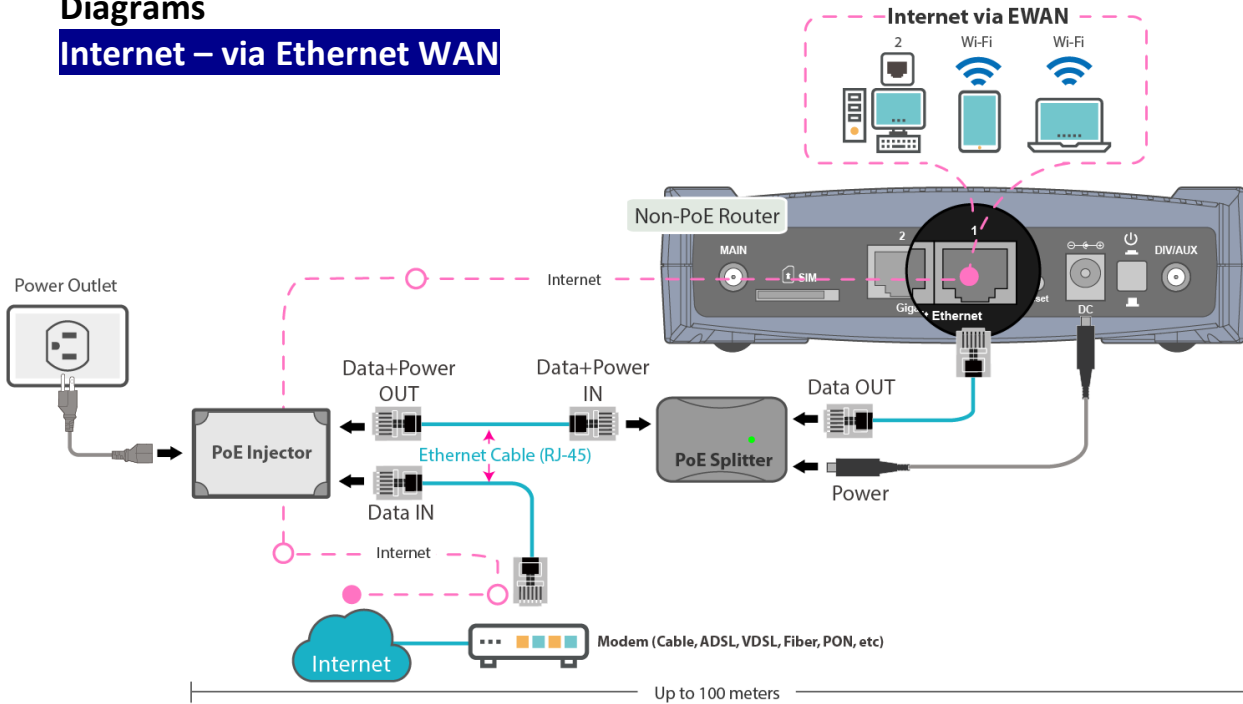
**Step 3:** Plug the 2.5mm DC connector cable to the **Power socket** of the PoE Splitter and the other end into the DC power socket of the non-PoE capable router/ network equipment.

**Step 4:** Plug an Ethernet cable, Cat.5 / 5e, to the **LAN IN** port of the PoE Injector and the other end to an Ethernet port of the non-PoE capable router/ network equipment.

**NOTE:** When using other brand PoE injector, please check the power requirement prior to the installation and setup. Power failure may damage to the PoE Splitter and/or the network device.

### Diagrams

#### Internet – via Ethernet WAN



#### Internet – via 4G/LTE

