

Quick Install Guide

WHAT'S IN THE BOX

- ✓ 1 x BEC MX-240
- ✓ 1 x This Quick Install Guide
- ✓ 1 x Ethernet (RJ-45) Cable
- ✓ 1 x DC Power Adapter, 12V 1.2A
- ✓ 1 x Power Terminal Block 2-Pin 3.5mm
- ✓ 1 x DIN Rail Mounting Kit
- ✓ 1 x Wall Mounting Kit
- 4 x SX-CBRS Antennas (Sold Separately)



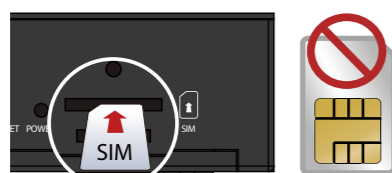
SETTING UP THE ROUTER

1 Insert the SIM Card

Note: Power off the MX-240 before inserting or removing the SIM

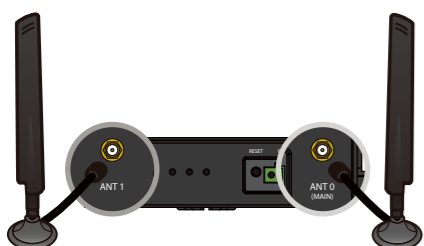
Remove the SIM cover then insert the SIM card (2FF) with the metal contacts (gold plate) facing down to the SIM slot then push it all the way in until you hear the clicking sound.

Replace the metal SIM cover after inserting the SIM.



2 Attach the SX-CBRS Antennas

Note: Antenna images shown are for illustration purpose only.

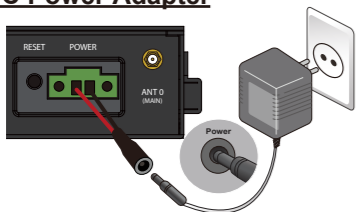


Screw the male SMA SX-CBRS antennas tight to the female connectors. You can use up to 4 antennas with the MX-240. Connect to the ANT1(MAIN) port, the primary antenna port to transmit and receive cellular signal, if decide to use a single antenna.

Do not over-torque the antenna on the connector.

3 Connect to Power Source

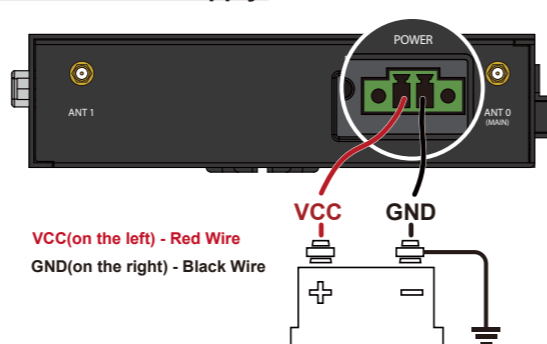
Use the DC Power Adapter



Attach the power converter with 2-pin terminal block to the MX-240 and plug in the supplied power adapter, 12VDC 1.2A.

3 Connect to Power Source (Cont.)

Use External Power Supply

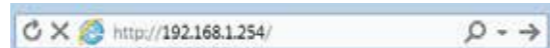


Attach the power terminal block (TB) to the MX-240 and connect wire leads from a power supply to the terminal block (TB) plug.
RED Wire (Left Connector): VCC/V+. Connect to the positive supply voltage. Input voltage range is from 9V to 56V.
BLACK Wire (Right Connector): Ground (GND) / V-. Connect to the negative supply voltage.

4 Access to the MX-240

Connect the supplied Ethernet cable to your notebook or PC.

Access to the MX-240 Web interface by entering <http://192.168.1.254> in the address bar of the web browser.

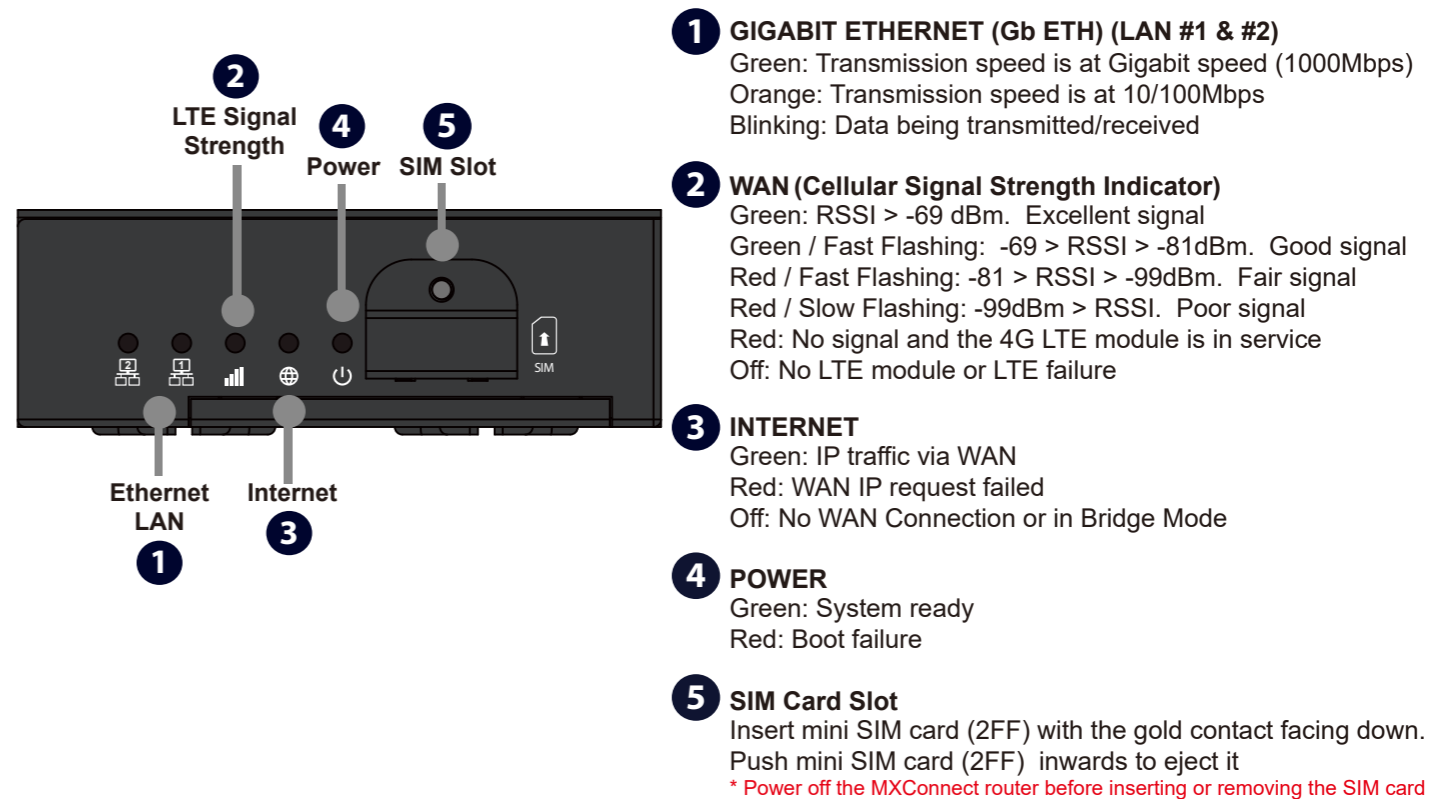
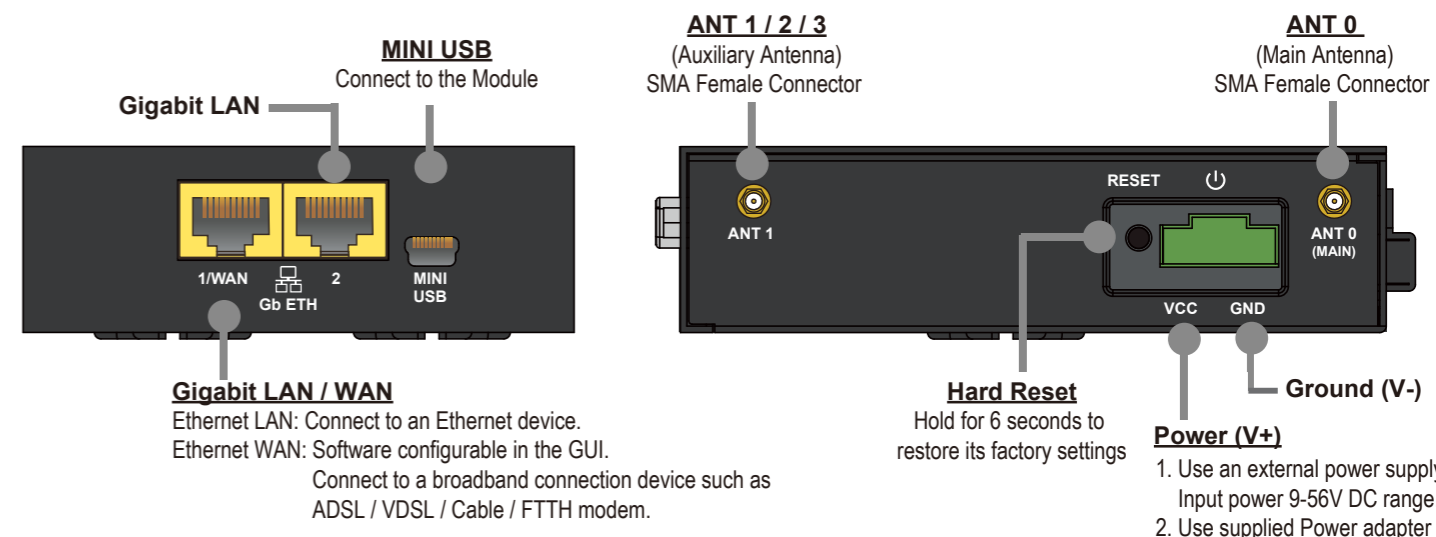


Default Login: Username (admin) and Password (admin) or a unique 12-digit password can be found on the device label).



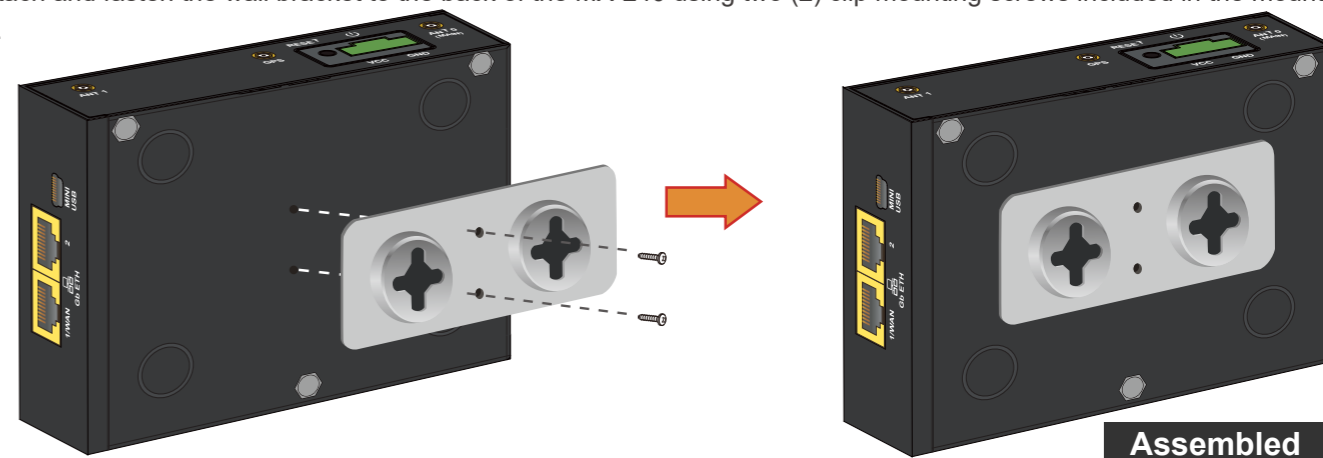
The Quick Start Wizard provides key steps to connect the MX-240 to the Internet.

DEVICE OVERVIEW & LEDS



WALL MOUNT KIT INSTALLATION

Attach and fasten the wall bracket to the back of the MX-240 using two (2) clip mounting screws included in the mounting kit.



Assembled

DIN RAIL MOUNTING KIT INSTALLATION

KIT CONTAINS: DIN Rail Clip and Six (6) Clip Mounting Screws

The DIN Rail mounting kit is designed to securely attach and clip the MX-240 onto a TS35 or standard 35mm top hat (EN 500022/BS 5584) DIN rail in the horizontal position.

Two (2) mounting locations to mount the DIN rail clip on the surface of MX-240, back or rear side.

Please follow the steps to complete DIN rail mounting installation.

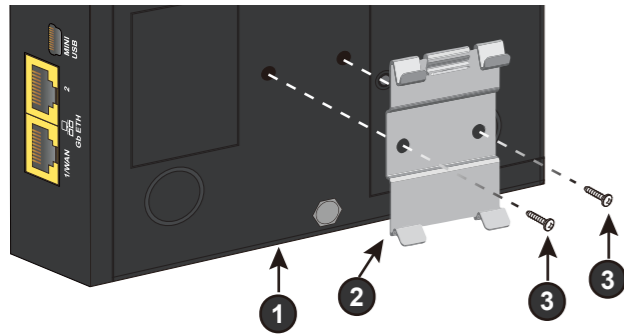
ATTACHING TO A DIN RAIL

- I Attach and fasten the DIN rail clip (known as clip) to the back or rear side of the MX-240 using two (2) clip mounting screws included in this mounting kit.**

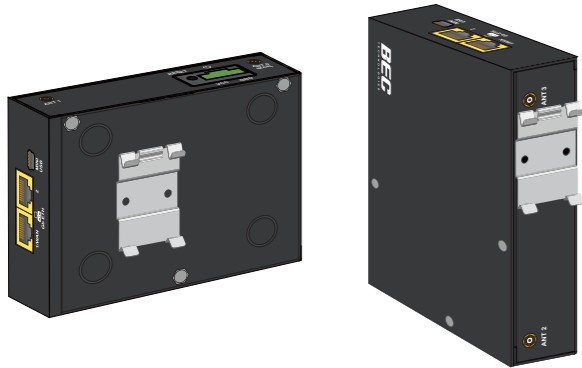
1. MX-240

2. Mounting Bracket

3. Mounting Screws

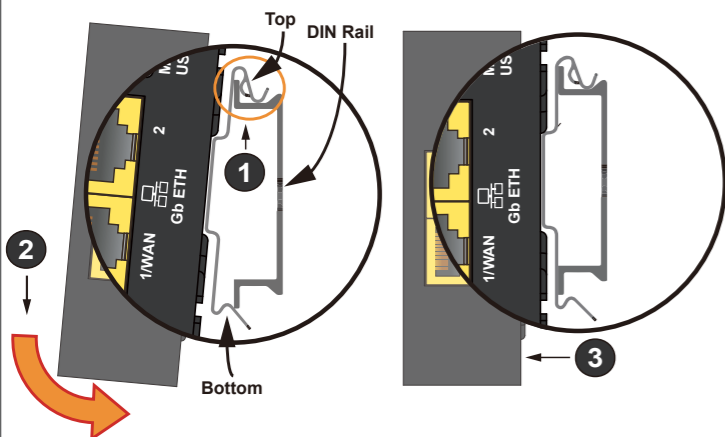


- II Install clip in either vertical or horizontal position.**



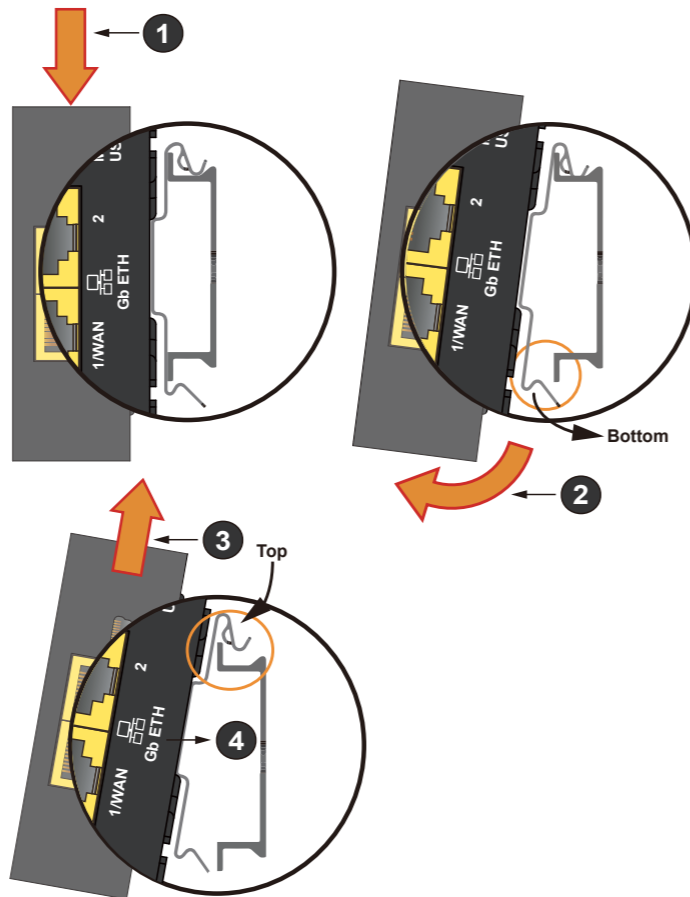
- III Clip and secure the MX-240 onto a DIN rail.**

1. Hook the top of the clip onto the top edge of the DIN rail. Make sure the clip is firmly against the rail.
2. Push down the bottom of the MX-240 to snap it onto the lower edge of the DIN rail.
3. The MX-240 is now mounted on the DIN rail.

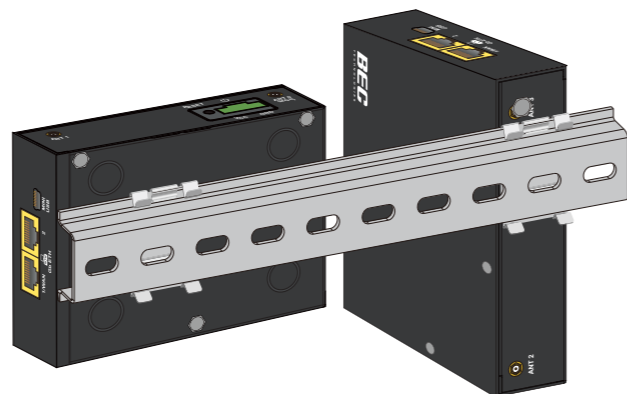


REMOVING FROM A DIN RAIL

- I Remove MX-240 from a DIN rail.**
- 1-2. Push down the MX-240 to free the bottom of the clip from the DIN rail.
 - 3-4. Unhook the top of the clip and pull the MX-240 away from the DIN rail.



MX-240 INSTALLED WITH A DIN RAIL



BEC
TECHNOLOGIES

www.bectechnologies.net

M2M



MX-240

Quick Install Guide

FCC Caution:

This device complies with Part 15 of the FCC Rules.

Operation is subject to the following two conditions:

- (1) this device may not cause harmful interference, and
- (2) this device must accept any interference

3301 Matrix Drive Ste 200
Richardson, TX 75082 USA
TEL : +1-972-422-0877
FAX : +1-972-422-0886
E-mail : sales@bectechnologies.net

www.bectechnologies.net