



Quick Start Guide

Model: RidgeWave® BEC 7000 R25

Product: 4G LTE-A Pro Outdoor Router

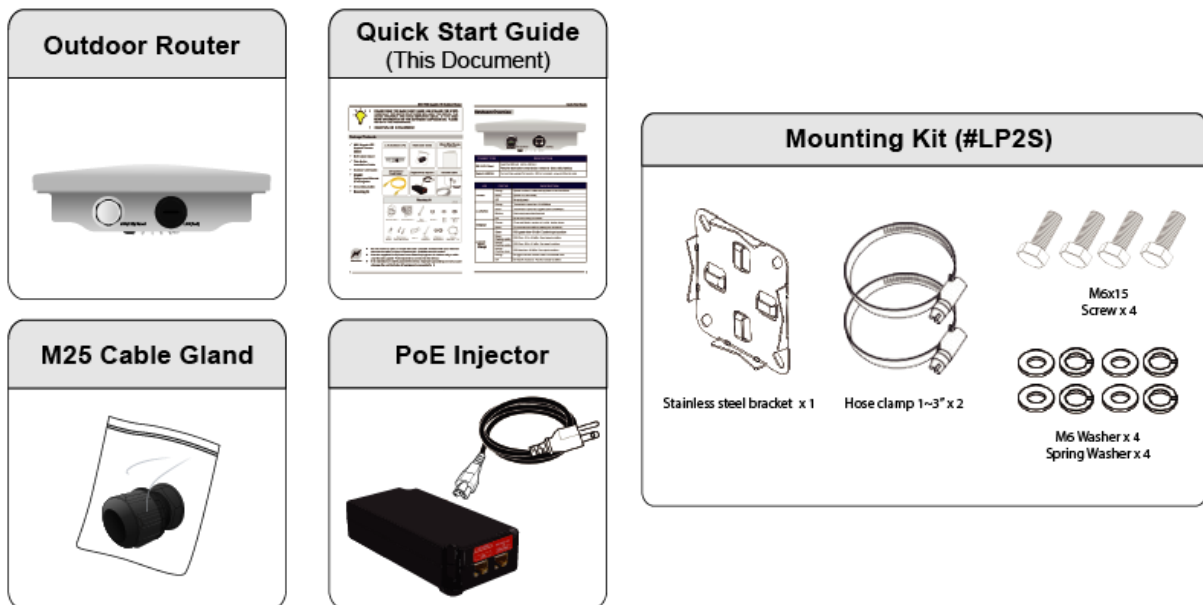
teamsupport@bectechnologies.net | +1 972-422-0877
www.bectechnologies.net



- PLEASE READ THE QUICK START GUIDE AND FOLLOW THE STEPS CAREFULLY. THIS QUICK START GUIDE WILL HELP YOU INSTALL THE DEVICE PROPERLY AND AVOID IMPROPER USAGE. IF YOU NEED MORE INFORMATION ON THIS SOFTWARE CONFIGURATION, PLEASE REFER TO THE USER MANUAL.
- **INDUSTRIAL SIM IS RECOMMEND!**

Package Contents

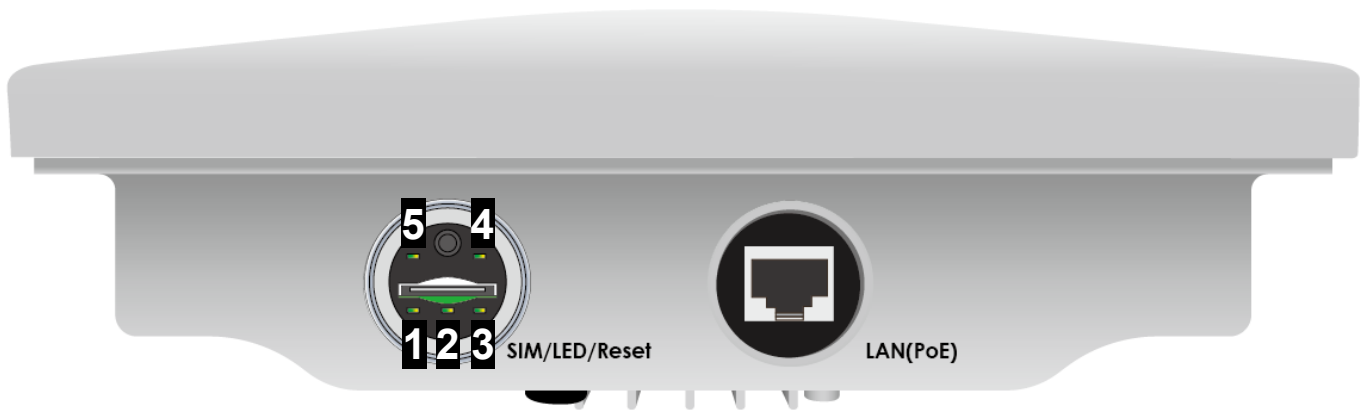
- RidgeWave® BEC 7000 R25 x 1
- Quick Installation Guide x 1
- M25 Cable Gland x 1
- Gigabit Power-over-Ethernet (PoE) Injector x 1
- Mounting Kit (LP2S) x 1



Attention

- Do not remove, open, or repair the case yourself. Contact with your Internet Service Provider or have it repaired at a qualified service center.
- Use the supplied PoE (Power-over-Ethernet) injector for indoor only.
- It is mandatory to earth ground the device. Improper grounding not only could damage the unit but also all equipment connected to it.

Hardware Overview



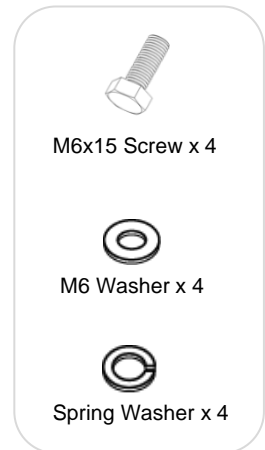
CONNECTORS	DESCRIPTION
SIM / LED / Reset	Insert the SIM card into the SIM slot. Press the reset button to reset device or restore to factory default settings
Gigabit LAN / PoE	Connect the supplied BEC PoE injector to the LAN/PoE port using an Ethernet cable.

LED	STATUS	DESCRIPTION
1. Power	Orange	System is either in initial startup phase or has boot failure
	Green	System is up and ready
	Off	No input power
2. LAN(PoE)	Orange	Transmission speed is at 10/100Mbps
	Green	Transmission speed is at gigabit speed (1000Mbps)
	Blinking	Data being transmitted/received
	Off	No device is being connected
3. Internet	Orange	IP request failed or System is in initial booting phase
	Green	IP connected and traffic is passing thru the device
4. 4G LTE Signal Strength	Green	RSSI greater than -69 dBm. Excellent signal condition
	Green Flashing quickly	RSSI from -81 to -69 dBm. Good signal condition
	Orange Flashing quickly	RSSI from -99 to -81 dBm. Fair signal condition
	Orange Flashing slowly	RSSI less than -99 dBm. Poor signal condition
	Orange	No signal. 4G LTE module is still in connected mode
	Off	No 4G LTE module or 4G LTE module has failed

Mounting Kit Installation

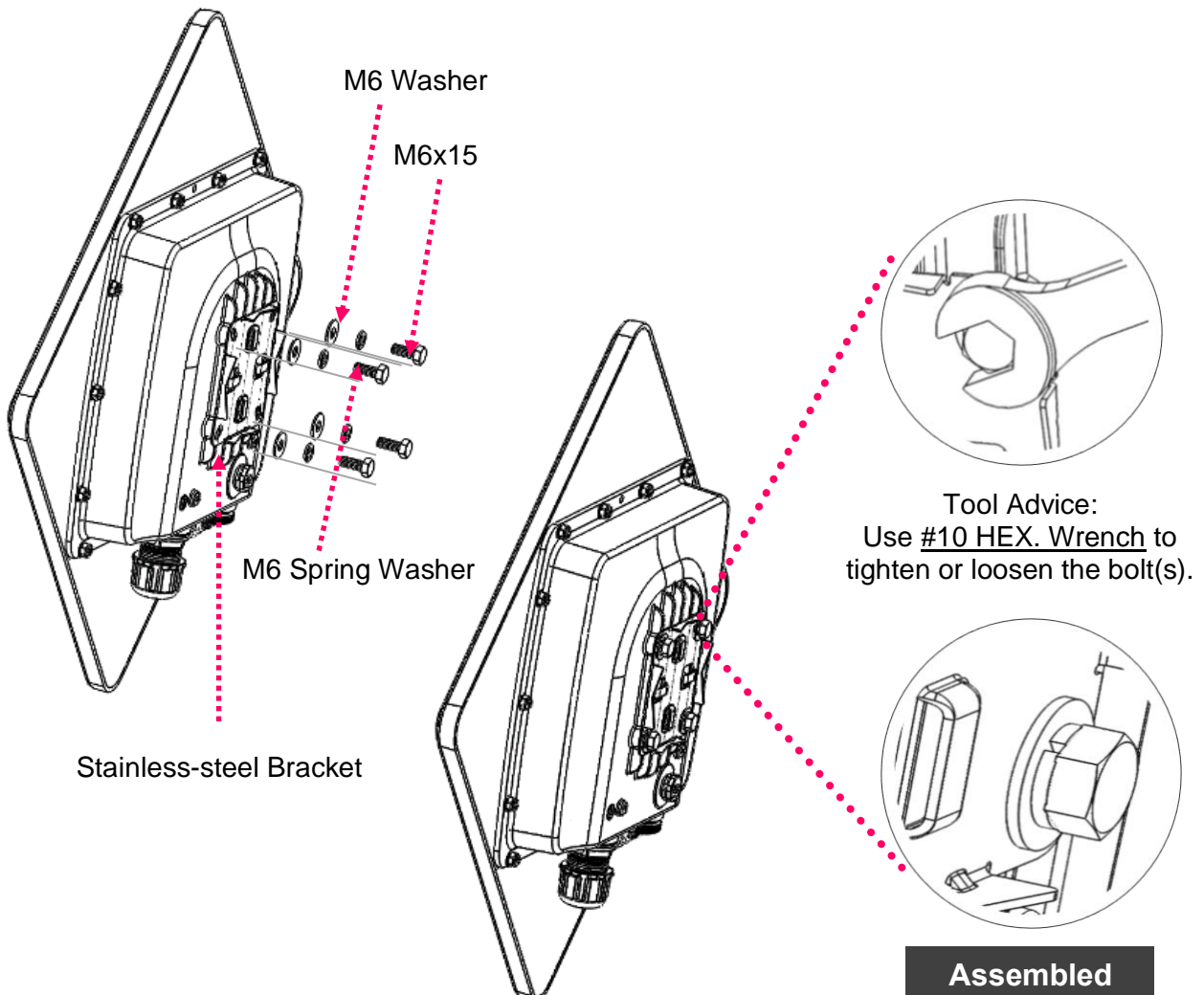
Mounting Kit includes:

- 1) Stainless Steel Bracket x 1
- 2) Hose Clamp x 2
- 3) M6x15 Screw x 4
- 4) M6 Washer x 4
- 5) Spring Washer x 4

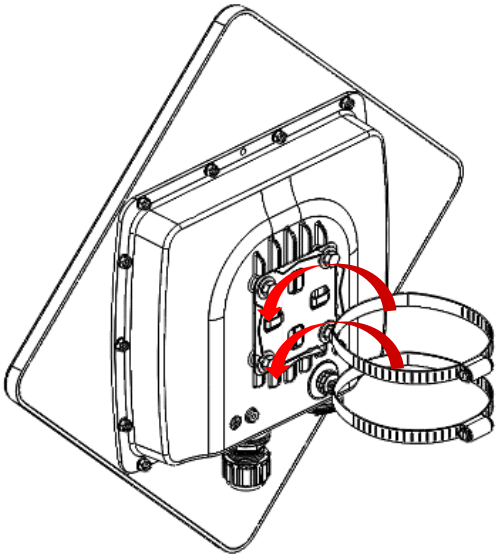


1. Attach the Stainless-Steel Bracket to the Enclosure

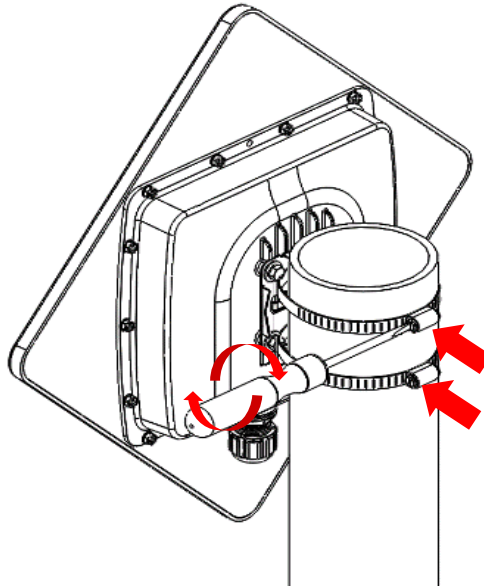
Attach the stainless-steel bracket to the back of the RidgeWave® BEC 7000 R25 enclosure then use the supplied M6 Washer, Spring Washer, and M6x15 screws in the mounting kit to screw the bracket tightly.



2. Pole Mounting for Pole 1" ~ 3" (25.4 ~ 76.2mm)

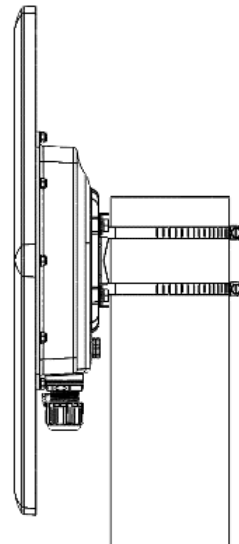
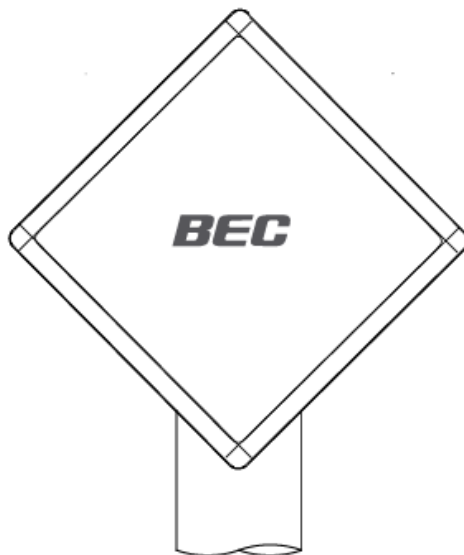


Use 1~3" hose clamps through the stainless-steel bracket.



Fix the stainless-steel bracket to the pole by using the supplied stainless hose clamps (1" ~ 3"). Use a flat-head screwdriver to turn the head of the screw clockwise to tighten it.

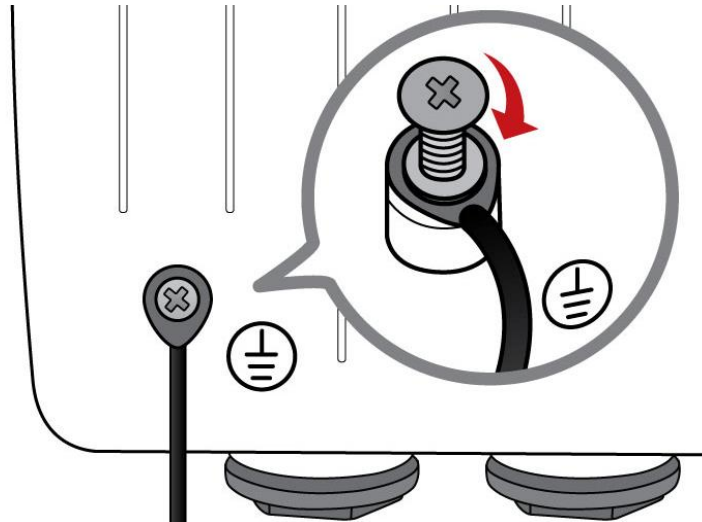
The RidgeWave® BEC 7000 R25 must be directed towards the nearest base station.



Completed

3. Proper Grounding to Complete the Installation

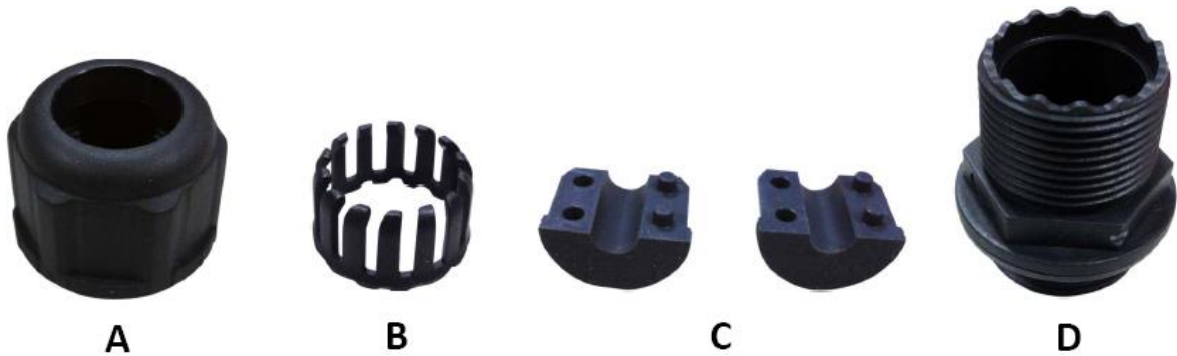
Attach the grounding wire to the RidgeWave® BEC 7000 R25 and tighten the screw.



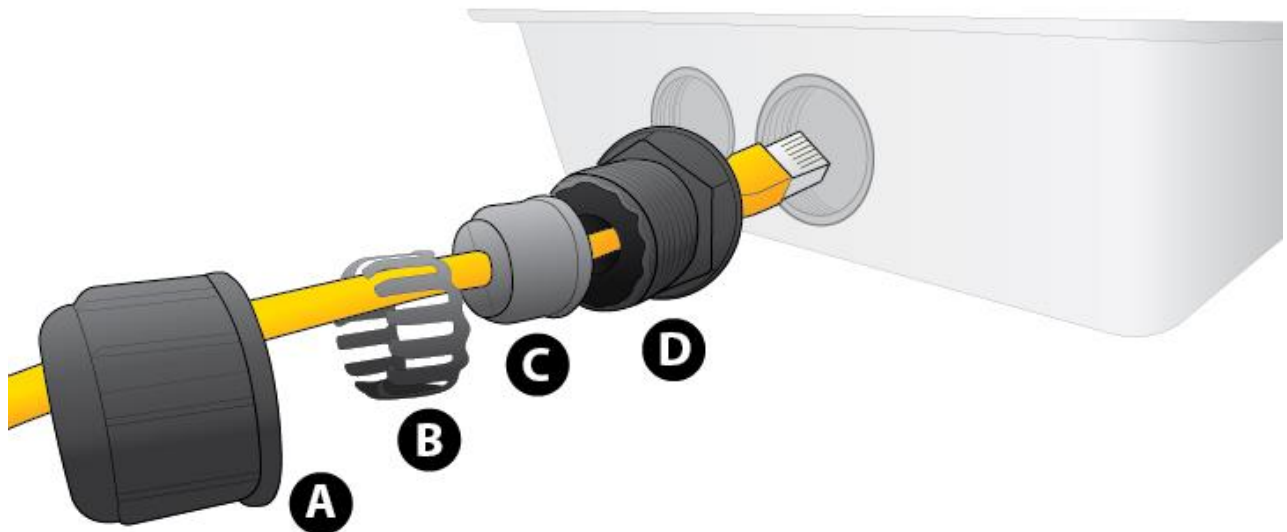
Router Installation Instructions

Power on your RidgeWave® BEC 7000 R25

Step 1: Assemble M25 cable gland



Step 2: Unscrew the LAN (PoE) cap then insert an outdoor Ethernet cable (RJ-45) through material A-D, and then connect the RJ-45 Ethernet cable into the LAN (PoE) port.



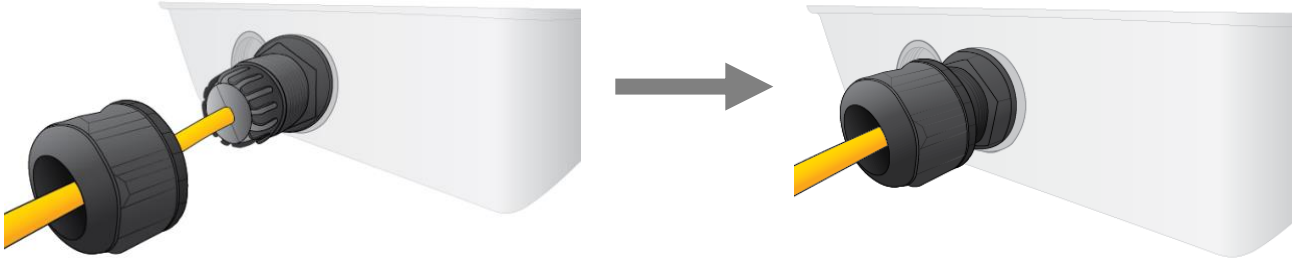
Step 3:

3.1: Insert **C** at the back end of **D**

3.2: clip **B** on **C**

3.3: keep **B** close to **D**

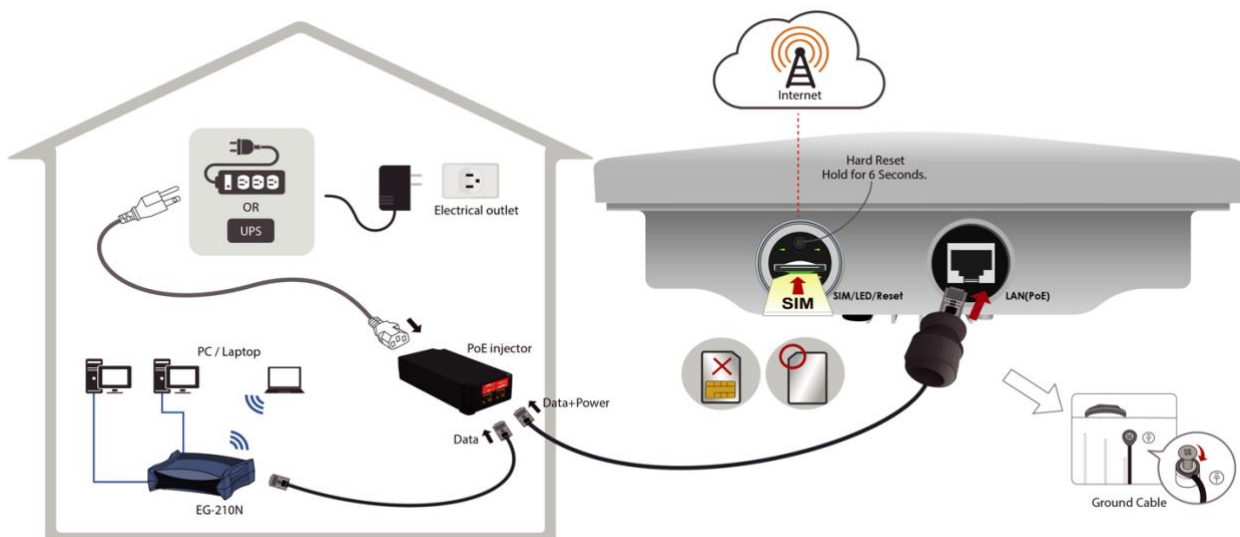
3.4: then tighten **A**

**Step 4:**

Insert the other end of outdoor Ethernet cable (RJ-45) to the supplied Gigabit PoE injector **Data+Power** port. Connect another Ethernet cable (RJ-45) directly to the **Data** port and the other end of cable to a switch or broadband router.

IMPORTANT:

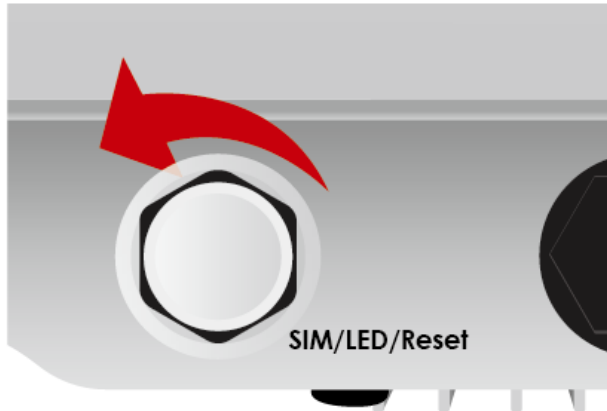
It is recommended to put the Gigabit PoE Injector on an UPS or Surge Protector. Use a grounding wire to ground your RidgeWave® BEC 7000 R25 is REQUIRED!



Internet Connection Setting

1. Set up your 4G LTE Internet Connection

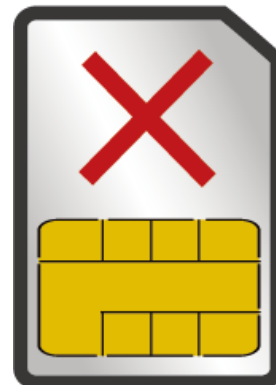
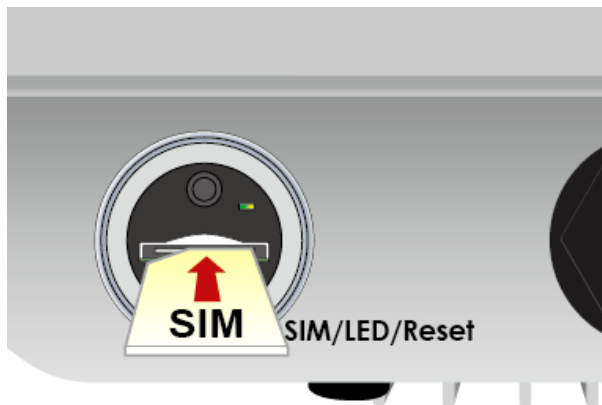
Step 1: Unscrew the cap of SIM card slot.



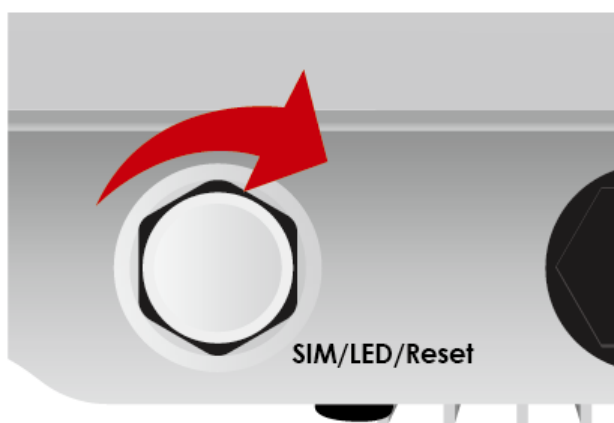
Step 2: Slide the SIM card with the metal contacts (gold plate) facing down to the SIM slot then push it all the way in until you hear the clicking sound.



It is recommended to use an industrial-grade SIM card.



Step 3: Screw the cap back tightly.



Please power off the device before inserting or removing the SIM card.

Step 4: Login to your RidgeWave® BEC 7000 R25

The default IP of the router is **192.168.1.254** with subnet 255.255.255.0.

Make sure the attached PC to this router is in the same subnet and has an IP address in the range between 192.168.1.1 ~ 192.168.1.253.

Open a web browser and type **http://192.168.1.254** in the URL address bar.



URL Address bar: type
http://192.168.1.254

The login prompt will appear. Input the default username (**admin**) and password (**admin**) for Account type, Administrator.

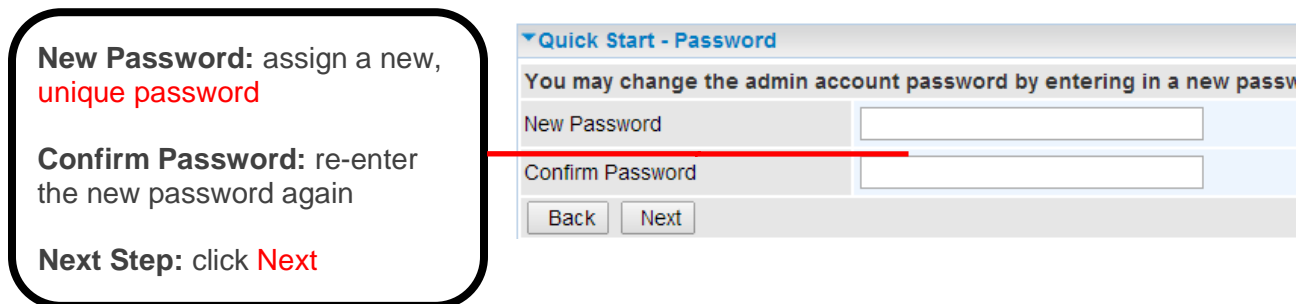
**This username / password may vary by different Internet Service Providers.*

Please see the relevant sections of user manual for detailed instructions on how to configure your RidgeWave® BEC 7000 R25.

Step 5: Use the **Quick Start** wizard for fast Internet connection setups.

5.1 Change administration password: Setup a new password for “admin” account for device management. The default password is “admin”. Click Continue to go on to the next step.

**The password may vary by different Internet Service Providers.*

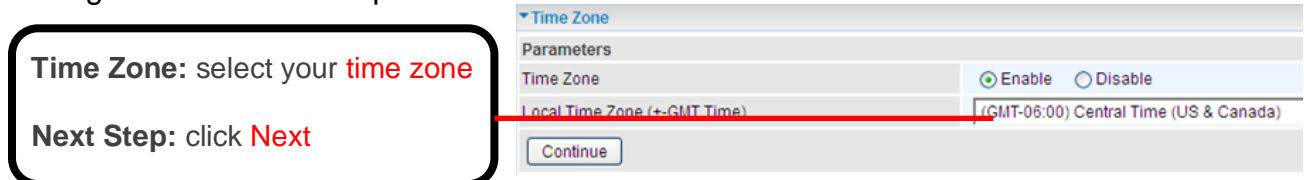


New Password: assign a new, **unique password**

Confirm Password: re-enter the new password again

Next Step: click **Next**

5.2 Time Zone Configuration: Enable and select your Time Zone then click Continue to go on to the next step



Time Zone: select your **time zone**

Next Step: click **Next**

5.3 4G/LTE Internet Connection Setup: Fill out all relevant parameters provided by your ISP.

5.4 Saving Configuration Settings: The Setup Wizard has completed. Click **BACK** to make changes or correct mistakes. Click **NEXT** to save settings. If the Internet connection is not ready, please double check your 4G/LTE settings again.

Troubleshooting

1. None of the LEDs are on when you turn on the Router.

Check the connection between the adapter and the router. If the error persists, you may have a hardware problem. In this case you should contact technical support.

2. You have forgotten your Router login and/or password.

Try the default login and password, please refer to User Manual or consult with your Internet Service Provider. If this fails, you can restore your router to its factory settings by holding the Reset button on the back of your router for 6 seconds or more. ***This username / password may vary by different Internet Service Providers.**

3. Can't ping any PCs on the LAN.

Check the LAN (PoE) LED on the Router. The LED should be on for the port that has a PC connected. If it is off, check the cables between your Router and the PC. Make sure you have uninstalled any software firewall for troubleshooting. Verify that the IP address and the subnet mask are consistent between the router and the workstations.

Product Support and Contact Information

Most problems can be solved by referring to the **Troubleshooting** section in the User Manual. If you have other inquiries or need further technical support, please contact with your Internet Service Provider, or visit us at www.bectechnologies.net.

FCC Statement

This equipment has been tested and found to comply with the limits for a Class B digital device, pursuant to FCC Part 15 of the FCC Rules. These limits are designed to provide reasonable protection against harmful interference in a residential installation. This equipment generates, uses, and can radiate radio frequency energy and, if not installed and used in accordance with the instructions, may cause harmful interference to radio communications. However, there is no guarantee that interference will not occur in a particular installation. If this equipment does cause harmful interference to radio or television reception, which can be determined by turning the equipment off and on, the user is encouraged to try to correct the interference by one of the following measures:

- Reorient or relocate the receiving antenna.
- Increase the separation between the equipment and receiver.
- Connect the equipment into an outlet on a circuit different from that to which the receiver is connected.
- Consult the dealer or an experienced radio/TV technician for help.

FCC Caution:

This device complies with Part 15 of the FCC Rules. Operation is subject to the following two conditions:

- (1) This device may not cause harmful interference, and
- (2) this device must accept any interference received, including interference that may cause undesired operation.

Any changes or modifications not expressly approved by the party responsible for compliance could void the user's authority to operate this equipment. This device and its antenna(s) must not be co-located or operating in conjunction with any other antenna or transmitter.

FCC Radiation Exposure Statement

This equipment complies with FCC radiation exposure limits set forth for an uncontrolled environment. This equipment should be installed and operated with minimum distance 25cm between the radiator & your body.

Professional Installation Instructions

1. Installation Personal

This product is designed for specific application and needs to be installed by a qualified personal who has RF and related rule knowledge. The general user shall not attempt to install or change the setting.

2. Installation Location

The product shall be installed at a location where the radiating antenna can be kept 25 cm from nearby person in normal operation condition to meet regulatory RF exposure requirement.

3. External Antenna

Use only the antennas which have been approved by the applicant. The non-approved antenna(s) may produce unwanted spurious or excessive RF transmitting power which may lead to the violation of FCC limit and is prohibited.

4. Installation Procedure

Please refer to user's manual for the detail.

5. Warning

Please carefully select the installation position and make sure that the final output power does not exceed the limit set force in relevant rules. The violation of the rule could lead to serious federal penalty.